

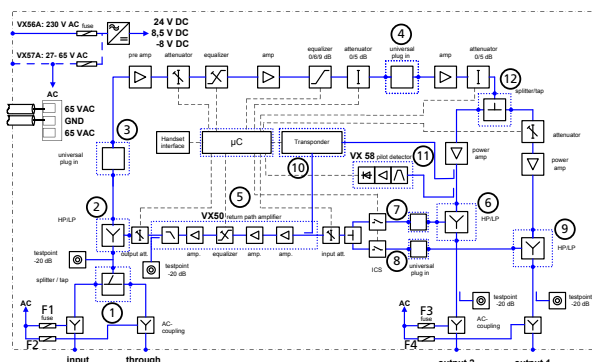
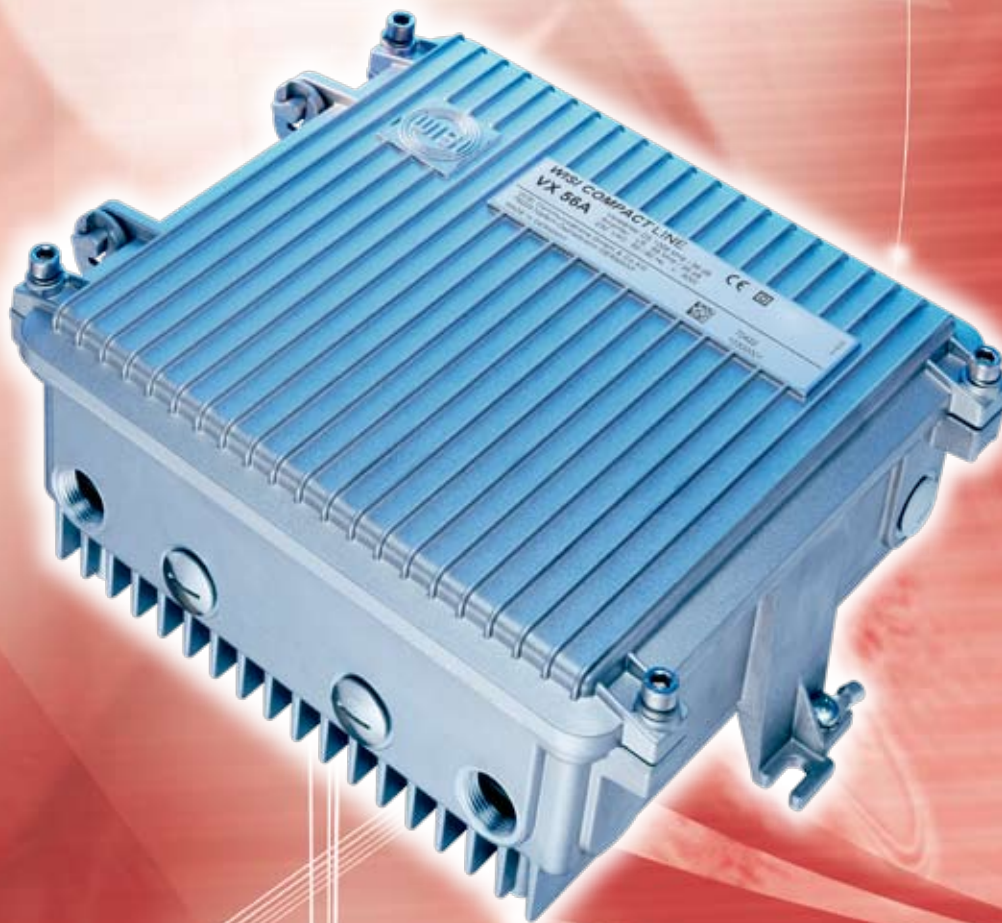
Distribution amplifier COMPACT LINE



VX 56 A

VX 57 A

Product information



At one glance:

- Compact 1 GHz high output level CATV amplifier
- All settings (gain, slope etc.) by WISI control unit (OK Handset) or LMT (laptop) if a HMS transponder is used
- Includes interface for NMS functionality
- Diplex filters and splitter/tap-modules pluggable

Distribution amplifier

COMPACT LINE

VX 56 A, VX 57 A



Type	VX 56 A / VX 57 A
Downstream	
Frequency range	47 (85) - 1006 MHz *
Impedance	75 Ohm
Gain	39.5 dB **
In / output return loss	≥ 20 dB (-1.5 dB / oct.)
Noise figure	≤ 6.5 dB
Input equalizer (step size 0.1 dB)	0 - 15 dB
Input attenuator (step size 0.1 dB)	0 - 15 dB
Interstage attenuator	0 / 5 / 10 dB
Interstage slope	0 / 6 / 9 dB
Output attenuator (step size 0.1 dB)	0 - 15 dB
CENELEC 42 Ch. flat	2x 111 dBμV
CENELEC 42 Ch. 6 dB slope	2x 114 dBμV
CTB / CSO	≥ 60 dB / ≥ 60 dB
RF test points	-20 dB
Upstream (with VX50)	
Frequency range	5 - (30) 65 MHz *
Impedance	75 Ohm
Gain	26 dB
In / output return loss	≥ 20 dB (-1,5 dB / oct.)
Noise figure	≤ 11 dB
Input attenuator (step size 1 dB)	0 - 30 dB
Output attenuator (step size 1 dB)	0 - 30 dB
Equalizer (5 - 65 MHz) (step size 0.5 dB)	0 - 10 dB
Output level 3. order	116 dBμV
2. order	116 dBμV
Ingress control switch ICS	0 / -8 / <-45 dB
RF test point	-20 dB
RF injection point	-20 dB
General specifications	
RF connectors	PG11
Supply voltage	VX 56 A: 180 - 265 V AC (50/60 Hz); VX 57 A: 27 - 65 V AC (50/60 Hz)
Power consumption	31 W (without transponder), 33 W (with transponder)
Power passing	< 8 A
Protection class	IP 66, IP 67 on request
Dimensions W x H x D	261 x 215 x 100.4 mm
Ambient temperature	-20°... +55°C
Storage temperature	-25°... +75°C
Max. humidity, non condensing	95 %
EMV	EN50083-2
	* depending on diplex filter
	** with XM 51 A (4/4 dB)

Modules

Splitter / Tap offs	XM 51 A	4 / 4	dB
	XM 53	8 / 2	dB
	XM 55	13 / 1	dB
	XM 56	18 / 1	dB
	HP modul	XE 04/0400	5-34 MHz, ≥25 dB Att.
Equalizer	XE 51 A	3 / 9	dB
	XE 52 A	12 / 18	dB
Ripple compensator	XE 54	47-200 / 300-600 MHz	
Cable simulation	XE 57	6 / 9	dB
	XE 51/6000	3 / 9	dB
Equalizer 606 MHz	XE 52/6000	12 / 18	dB
Diplex filter	XE 50 A/0650	65/85	MHz
	XE 50 /0300	30/47	MHz
Return path amplifier	VX 50	5-65	MHz
ASC module	VX 58	±4 dB (862 MHz)	
Transponder module	VT 51		

WISI Communications GmbH & Co. KG

Empfangs- und Verteiltechnik
 Wilhelm-Sihn-Straße 5-7
 75223 Niefern-Oeschelbronn, Germany

Telefon +49 72 33-66-280 Fax -3 50
 info@wisi.de
 www.wisi.de



excellence in digital ...